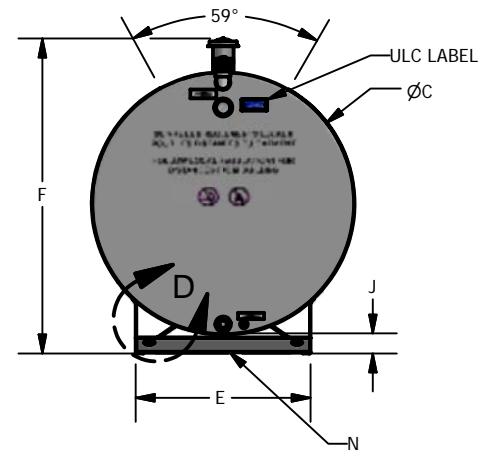
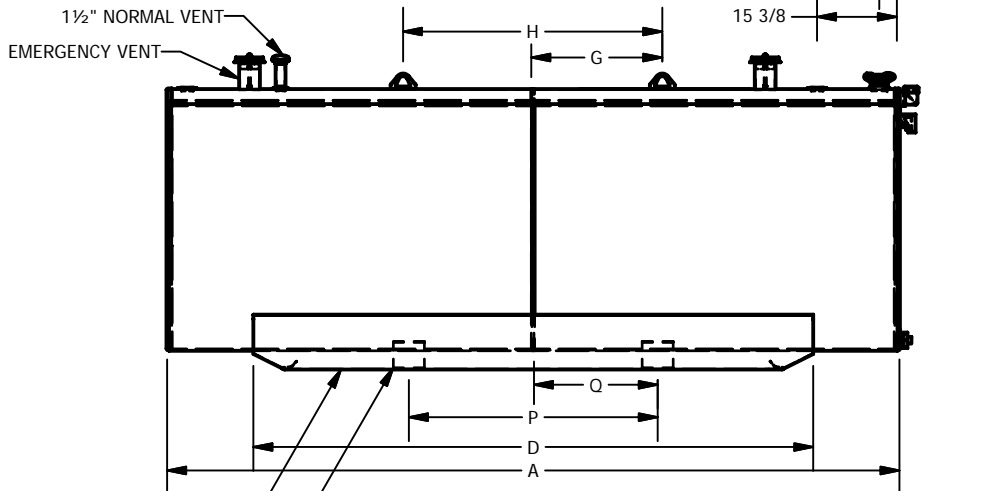
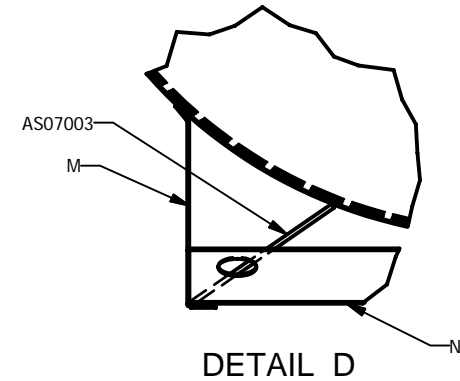
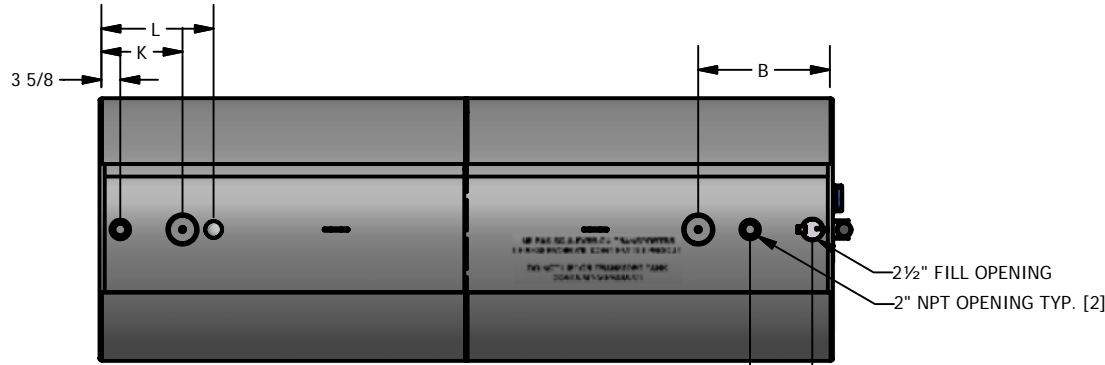


PRODUCT #	VOLUME (L,GAL)	PRIMARY STEEL THK. (mm)	SEC. STEEL THK. (mm)	A	B	C	D	E	F	G	H	J	K	L	M	N	P	Q
30064222	570,125	2.5	2.5	49		30¼	44	22½	41½	0		4¾	12	18	AS07112	AS07009		0
30114222	1135,250	2.5	2.5	60		38¼	48	27	49½	0		4½	15	21	AS07122	AS07012		0
30134242	1360,300	2.5	2.5	72		38¼	58	27	49½	0		4½	15	21	AS07153	AS07012		0
30204232	1915,420	2.5	2.5	60		50¼	48	33½	60½	0		3½	15	21	AS07122	AS07014		0
30234242	2275,500	2.5	2.5	72		50¼	58	33½	61	0		3½	15	21	AS07153	AS07014		0
30394222	3800,835	2.5	2.5	120	25	50¼	108	33½	61	25	50	3½	15	21	AS07274	AS07014		0
30394322	3800,835	3.0	2.5	120	25	50¼	108	33½	61	25	50	3½	15	21	AS07274	AS07014		0
30464222	4550,1000	2.5	2.5	142	25	50¼	108	33½	61	25	50	3½	15	21	AS07274	AS07014	48	24
30464322	4550,1000	3.0	2.5	142	25	50¼	108	33½	61	25	50	3½	15	21	AS07274	AS07014	48	24



This drawing is the exclusive property of Granby Industries Limited Partnership.
No part of this drawing may be used or reproduced in any manner without written permission from Granby Industries Limited Partnership

LINEAR STD TOLERANCES 0 OR FRAC. (X/X) → ±0.5" 0.00 → ±0.125" 0.0 → ±0.25" 0.000 → ±0.0625"		REVISION DESCRIPTION DRAWN BY E Bourassa 2008-02-15		
ANGULAR STD TOLERANCES 0 → ± 2 DEG. 0.0 → ± 0.5 DEG. 0.00 → ± 0.1 DEG.		VERIFIED BY APPROVED BY E Bourassa 2008-02-22		
Tank welds must respect SI-0039 specifications		Granby Steel Tanks © 2007 GRANBY INDUSTRIES LIMITED PARTNERSHIP		SIZE PART NO REV A SI0071 A.
MATERIAL		TITLE GENERIC DRAWING FOR CYLINDRICAL HORIZONTAL DOUBLE WALLED ULC-S643 UTILITY TANKS		
UNITS INCHES		SCALE .03 : 1		SHEET 1 OF 1

2

1

D-TANK_TMLPT-B