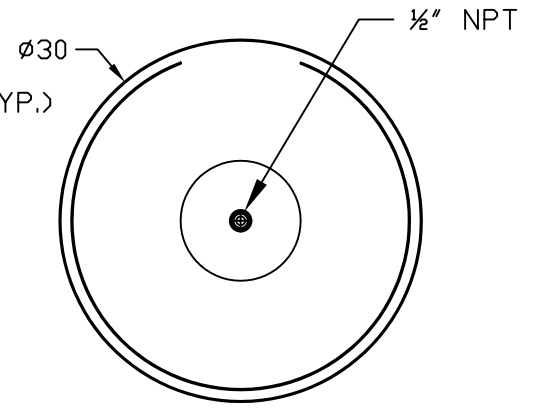
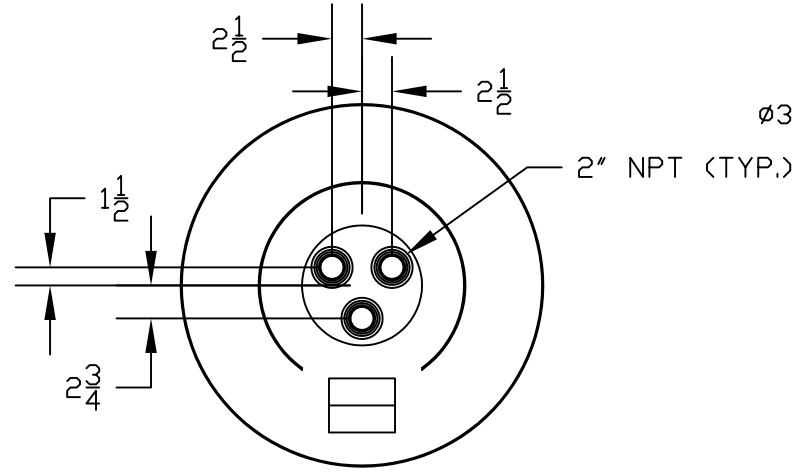
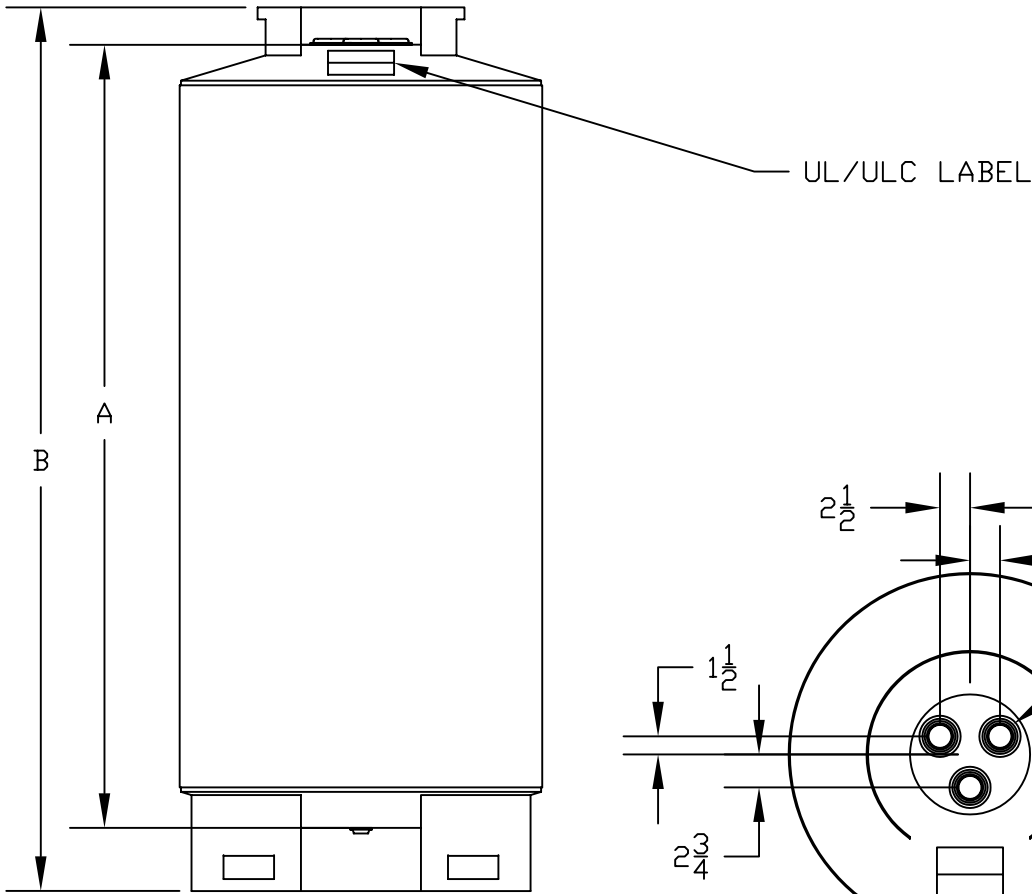


PRODUCT #	VOLUME (LITERS)	STEEL THK	A	B
3006622	560	12 gauge	54 3/4	65
3007622	690	12 gauge	65 1/4	77
3008622	825	12 gauge	76 3/4	88



Title: RESIDENTIAL CYLINDRICAL TANK - DCV (GENERIC)		DWG# DA-WCOMCCU_A
Standard: CAN/ULC-S602 US/UL-80	ALL DIMENSIONS IN INCHES	2005-02-16