

HOT WATER RADIATORS

DISTINCTIVE
DESIGNER SERIES

TOWEL BAR WARMERS

PANEL RADIATORS

RADIATORS



- » **Space Saving Design**
- » **Quiet, Comfortable Heating**
- » **Efficient Heat Transfer**
- » **Variety of Heights & Lengths**
- » **10 Year Warranty**



TOWEL BAR WARMERS



TECHNICAL INFORMATION

Order No.	Style	Length (in.)	Height (in.)	BTU Output*	Finish Color	Weight (lbs)
Straight						
PTW24.30SW	Straight	24	30	1584	WHITE	14
PTW24.48SW			48	2464	WHITE	21
PTW24.60SW			60	3081	WHITE	26
PTW24.72SW			72	3731	WHITE	31
Curved						
PTW24.30CW	Curved	24	30	1621	WHITE	14
PTW24.60CW			60	3126	WHITE	26
PTW24.72CW			72	3775	WHITE	31
PTW24.48CC			48	1714	CHROME	21
PTW24.60CC			60	2139	CHROME	26
PTW24.72CC			72	2556	CHROME	31

*Based on 180 average water temperature

Pensotti Towel Warmers provide just the right combination of stylish European design and efficient functionality at an economical price.

The Pensotti Towel Warmer can be used anywhere in the home but is perfectly sized for providing additional heat in bathrooms.

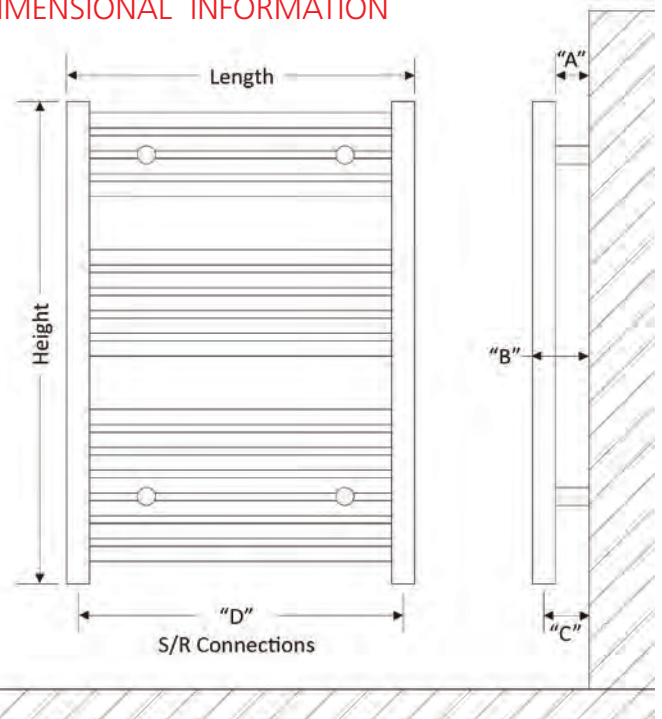
Available in both straight and curved designs, with white and chrome finish options, and a variety of heights and BTU outputs the Pensotti Towel Warmers will accommodate almost every space.

All Pensotti Towel Warmers feature bottom pipe connections and include the mounting hardware. Multiple valve and pipe adapter options to accommodate all piping scenarios are available separately.

When using the optional TRV valves individual temperature control is possible for added comfort and efficiency.

All Pensotti Towel Bar Warmers have a 5-Year Warranty.

DIMENSIONAL INFORMATION



Radiator Model	Length	A	B	C	D
Straight	23 1/4"	2 1/8"	3 3/8"	2" o.c.	21 7/8" o.c.
Curved	23 1/2"	1 1/34"	4"	2" o.c.	21 13/16" o.c.

PANEL RADIATORS

Pensotti Panel Radiators combine the comfort of radiant heat with an elegant contemporary design. These attractive radiators have been providing unsurpassed comfort and efficiency in European homes for more than 40 years. Because they are extremely versatile they can be used as a primary heating system, a supplement to a radiant floor system, or in conjunction with traditional heating sources.

Virtually silent in operation, Pensotti Panel Radiators eliminate the noises associated with other types of heating systems. Unlike conventional baseboard which provides only convective heat, panel radiators emit both radiant and convective heat to produce a blanket of unequaled warmth.

Wall mounted and uniquely designed, Pensotti Panel Radiators are durable, easy to clean and reduce the areas where household dirt and dust might collect. When compared to conventional baseboard, Pensotti Panel Radiators require just one quarter the amount of wall space, allowing for more flexibility in room design and furniture placement.

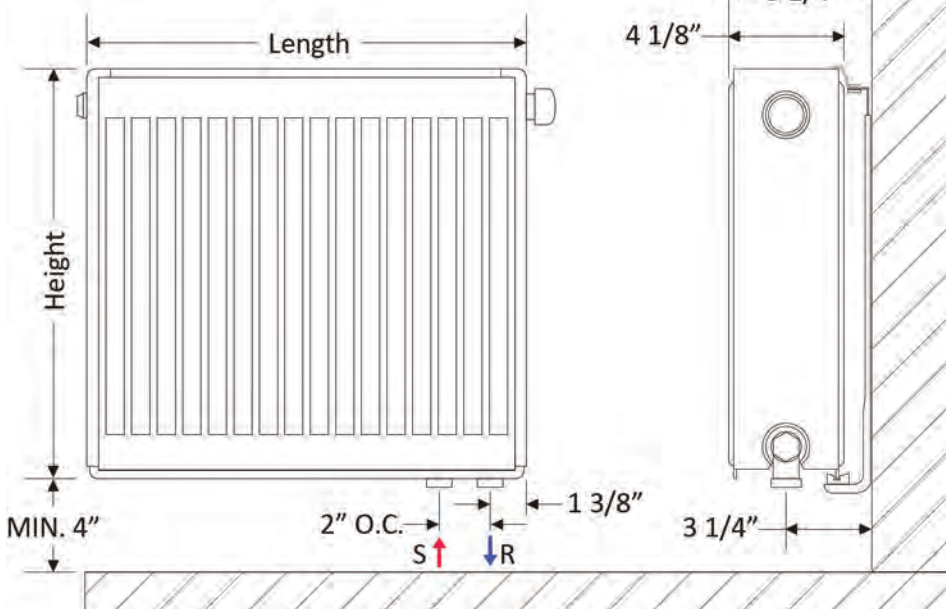


An integral thermostatic valve with flow setter is standard on each radiator. Combined with an optional non-electric operator, automatic room by room temperature control is achieved resulting in additional comfort and energy efficiency.

Pensotti Panel Radiators are quick and easy to install with the supplied snap-in mounting brackets, bottom pipe connections and reversible mounting.

All Pensotti Panel Radiators have a 10-Year Warranty.

DIMENSIONAL INFORMATION



**PANEL
RADIATORS**

PANEL RADIATORS

TECHNICAL INFORMATION

Order No.	Height (in.)	Length (in.)	Baseboard Equivalent**	BTU Output (Avg Water Temp)			Weight (lbs)	
				180°F	140°F	110°F		
DD12.16DBL	12	16	3.3	1934	1068	519	17	
DD12.24DBL		24	5.0	2900	1600	781	24	
DD12.32DBL		32	6.7	3866	2133	1041	31	
DD12.40DBL		40	8.3	4831	2661	1300	39	
DD12.48DBL		48	10.0	5800	3200	1559	46	
DD12.56DBL		56	11.7	6766	3733	1819	53	
DD12.64DBL		64	13.3	7732	4265	2081	60	
DD16.16DBL		16	16	4.2	2418	1331	648	23
DD16.20DBL	20		5.2	3022	1665	812	28	
DD16.24DBL	24		6.3	3626	1999	972	33	
DD16.28DBL	28		7.3	4231	2330	1136	38	
DD16.32DBL	32		8.3	4835	2665	1297	43	
DD16.36DBL	36		9.4	5440	2996	1460	48	
DD16.40DBL	40		10.4	6044	3330	1621	52	
DD16.44DBL	44		11.5	6648	3665	1784	57	
DD16.48DBL	48		12.5	7253	3995	1945	63	
DD20.16DBL	20		16	5.0	2876	1583	771	28
DD20.20DBL		20	6.2	3593	1979	962	34	
DD20.24DBL		24	7.4	4313	2375	1153	40	
DD20.28DBL		28	8.7	5033	2771	1347	46	
DD20.32DBL		32	9.9	5749	3166	1539	53	
DD20.36DBL		36	11.2	6469	3562	1733	58	
DD20.40DBL		40	12.4	7186	3958	1924	64	
DD20.44DBL		44	13.6	7906	4354	2115	71	
DD20.48DBL		48	14.9	8626	4746	2310	76	
DD24.16DBL		24	16	5.7	3310	1819	884	31
DD24.20DBL	20		7.1	4135	2276	1105	40	
DD24.24DBL	24		8.6	4964	2730	1327	48	
DD24.28DBL	28		10.0	5790	3183	1546	56	
DD24.32DBL	32		11.4	6619	3641	1767	66	
DD24.36DBL	36		12.8	7445	4094	1989	75	
DD24.40DBL	40		14.3	8270	4548	2211	81	
DD24.44DBL	44		15.7	9100	5002	2429	89	
DD24.48DBL	48		17.1	9926	5459	2651	97	
DD24.56DBL	56		20.0	11580	6367	3095	114	
DD24.64DBL	64		22.8	13235	7278	3535	130	
DD24.72DBL	72		25.7	14890	8190	3978	149	
DD36.16DBL	36		16	7.8	4541	2457	1170	48
DD36.20DBL			20	9.8	5678	3071	1464	56
DD36.24DBL		24	11.7	6814	3685	1757	72	
DD36.32DBL		32	15.7	9083	4913	2341	88	



Four different radiator valves are available to make system design, installation and maintenance quick and easy



Pensotti Snap-Grip mounting brackets make radiator installation and removal a snap

- Installation in closed-loop hot water systems only
- Max operating temperature - 250°F
- Max operating pressure - 145 psi
- Not for use in steam systems
- Radiator can be turned 180° to allow for either left or right hand pipe connections