

Table Describing Digits 1 to 6 of Product #

Product #	Capacity L / IG	Nom. Thk. (in)	A (in)	B (in)	C(in)	D (in)
401500_	680 / 150	1/4	50 5/16	46 3/4	22	9 1/2
402000_	910 / 200	1/4	52 1/2	56 1/4	31 1/2	17 3/8
402500_	1135 / 250	1/4	52 1/2	68 3/4	44	30 1/2

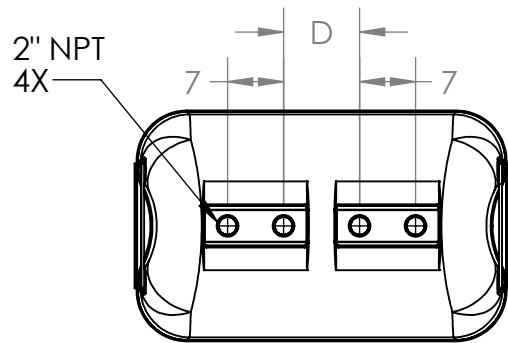
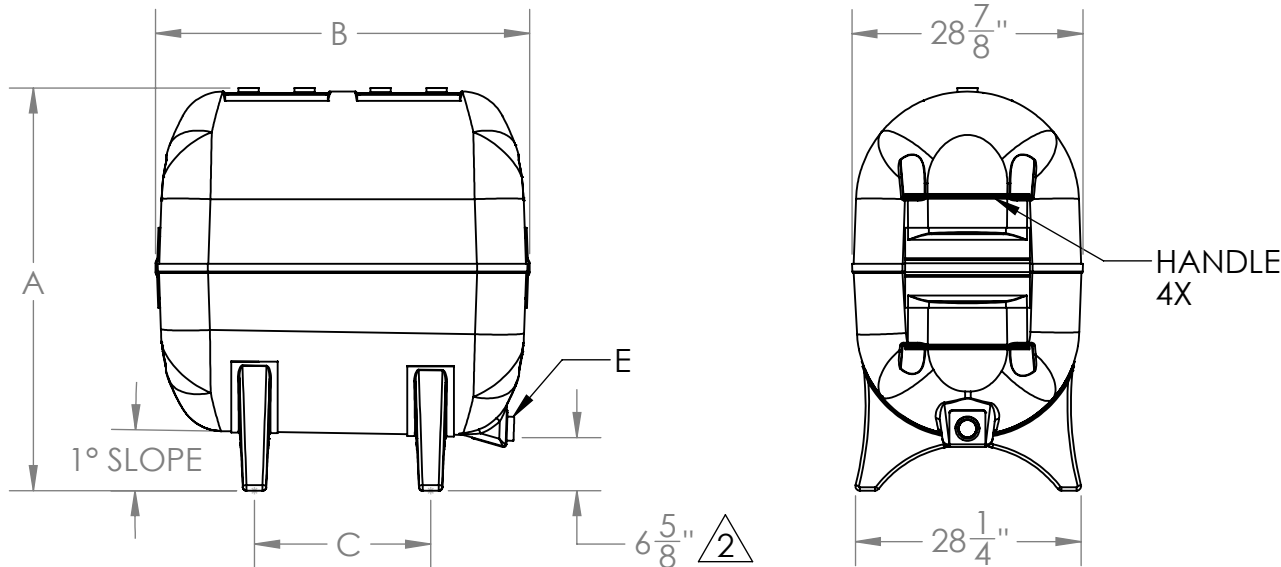


Table Describing Digits 7 of Product #

Product #	E (in)
_____0	N/A
_____1	1/2" NPT
_____2	2" NPT



4015002 SHOWN

**UNLESS OTHERWISE SPECIFIED:  
DIMENSIONS ARE IN INCHES**

TOLERANCES:  
X/X = ± 0.500"    0.00 = ± 0.125"  
0.0 = ± 0.250"    0.000 = ± 0.0625"

MATERIAL  
THICKNESS

	NAME	DATE
DRAWN BY:	O. Marin	2014-09-03
CHECKED BY:	J. Lacroix	2014-09-03

**PROPRIETARY AND CONFIDENTIAL**  
THE INFORMATION CONTAINED IN THIS DRAWING IS THE SOLE PROPERTY OF GRANBY INDUSTRIES. ANY REPRODUCTION IN PART OR AS A WHOLE WITHOUT THE WRITTEN PERMISSION OF GRANBY INDUSTRIES IS PROHIBITED.

TITLE:  
GENERIC DRAWING FOR VERTICAL  
OBROUND FIBRESTOR™/MC TANKS  
ULC/ORD-C80.1  
UL 2258

DWG. NO. **SI0134**



REV  
**2**

SCALE: 1:24

SHEET 1 OF 1

Rev	Date	By	Description
2	2014-11-04	OM	Add 6 5/8"

5

4

3

2

1