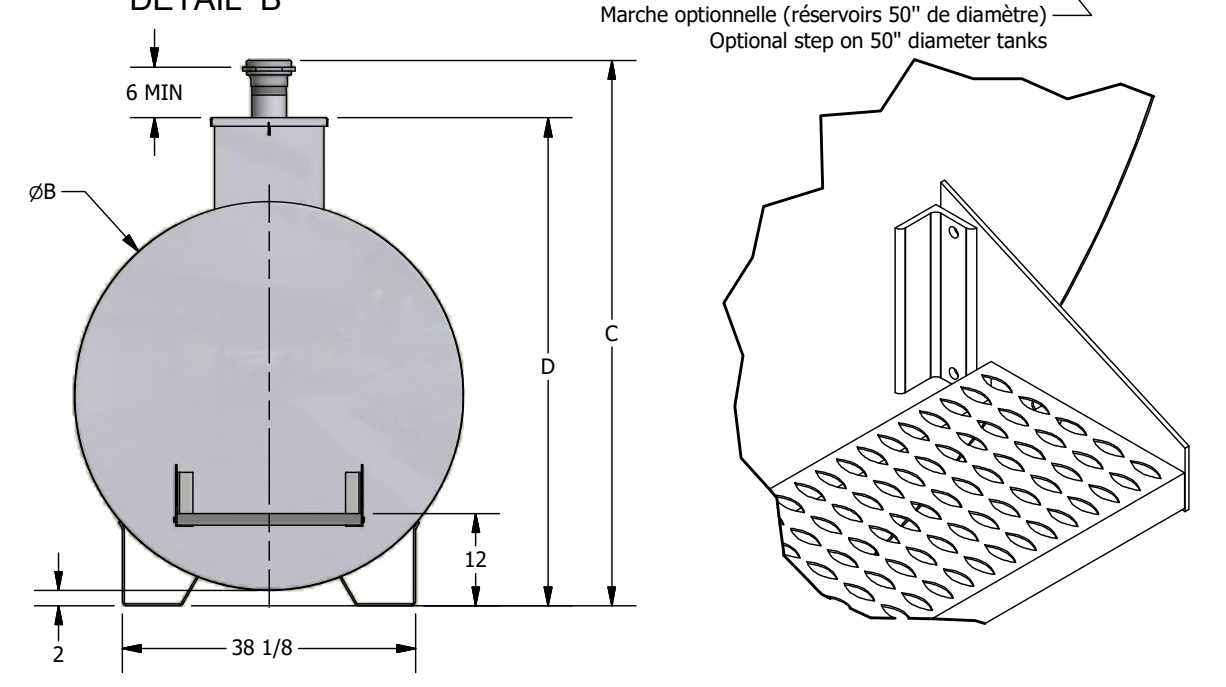
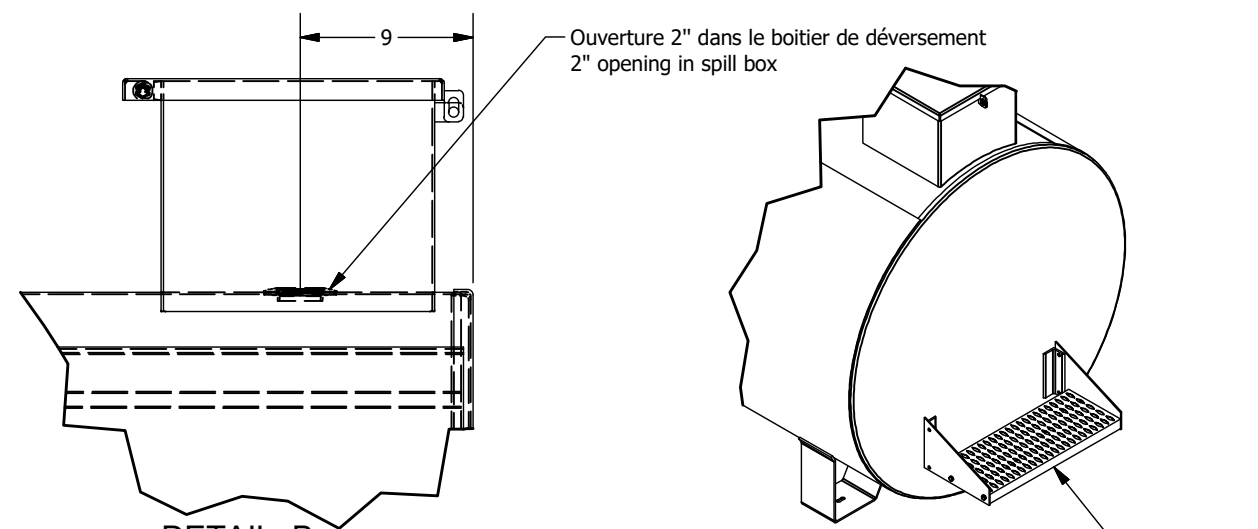


Part #	Volume (L,GAL)	NOMINAL STEEL THK.	A (in)	B (in)	C (in)	D (in)	E (in)	F (in)	G (in)	H (in)	J (in)	K (in)	L (in)	M (in)	N (in NPT)
30060222NCAA-07	570,125	2.5 mm	49	30 1/2	51	42 1/2		11	16	21			3	34	2
30110222NCAA-07	1135,250	2.5 mm	60	38 1/2	59	50 1/2		11	17 1/2	24		22	3	42	2
30140222NCAA-07	1360,300	2.5 mm	72	38 1/2	71	63 1/2		12	20	28	28	22	3	42	2
30200232NCAA-07	1915,420	2.5 mm	60	50 1/2	71	63 1/2		11	17 1/2	24		22	3	42	2
30230242NCAA-07	2275,500	2.5 mm	72	50 1/2	71	63 1/2		12	20	28	28	22	3	42	2
30390222NCAA-07	3800,835	2.5 mm	120	50 1/2	71	63 1/2	12 1/2	12	20	28	48	26	4		2
30460222NCAA-07	4550,1000	2.5 mm	142	50 1/2	71	63 1/2	12 1/2	14	24	36	60	26	4		4



NOTES:  
 1. AIR / SOAP TEST TO 35 KPa (5 PSI) MAX.  
 2. INTERIOR FINISH: CLEAN OF DEBRIS ETC.  
 3. EXTERIOR FINISH: PHOSPHATE CLEAN AND APPLY 0.0035" to 0.0070" of WHITE POLYURETHANE 751 (PE0060ET AND PE0061ET)

Ce dessin est la propriété exclusive de Industries Granby, SEC. Aucune partie de ce dessin ne peut être utilisée ou reproduite sans sa permission écrite. This drawing is the exclusive property of Granby Industries LP. No part of this drawing may be used or reproduced in any manner without its written permission.			
TOLÉRANCES LINÉAIRES, LINEAR STD TOLERANCES 0 OR FRAC. (X/X) -> ± 0.5" 0.00 -> ± 0.125" 0.0 -> ± 0.25" 0.000 -> ± 0.0625"		Description de la révision / Revision description	
TOLÉRANCES ANGULAIRES, ANGULAR STD TOLERANCES 0 -> ± 2 DEG. 0.00 -> ± 0.1 DEG. 0.0 -> ± 0.5 DEG.		Dessiné par / Drawn by <b>S. Potvin</b>	26/01/2018
Les soudures doivent respecter la spécification SI-0039. Tank welds must respect SI-0039 specifications.		Approuvé par / Approved by :	
Matériau / Material :		Unités / Units <b>INCHES</b>	Echelle / Scale Feuille / Sheet <b>1 / 1</b>
		Industries Granby S.E.C., Granby Industries L.P. © 2018 Industries Granby, SEC. Granby Industries LP	
		Format / Size <b>B</b>	No de la pièce / Part no. <b>Light_Ind_601HZ</b>
		REV <b>05</b>	
		Description / Title <b>RESERVOIR INDUSTRIEL LÉGER D/P - ULC-S601 - D/W LIGHT INDUSTRIAL TANK</b>	