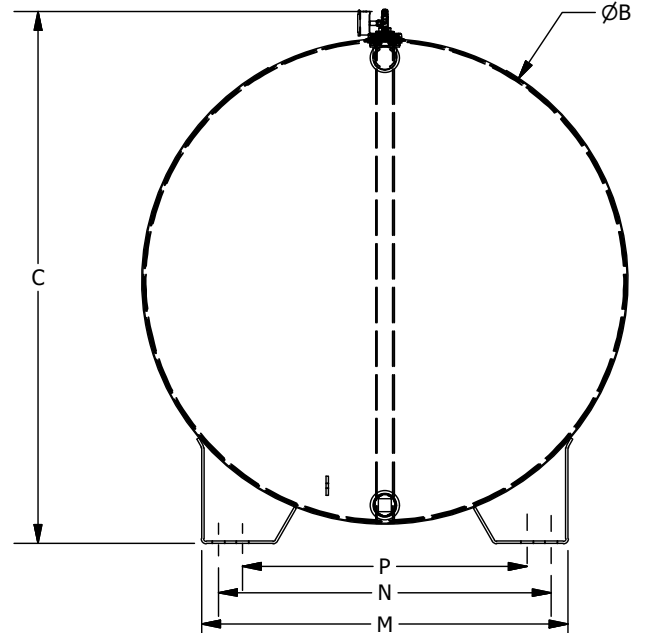
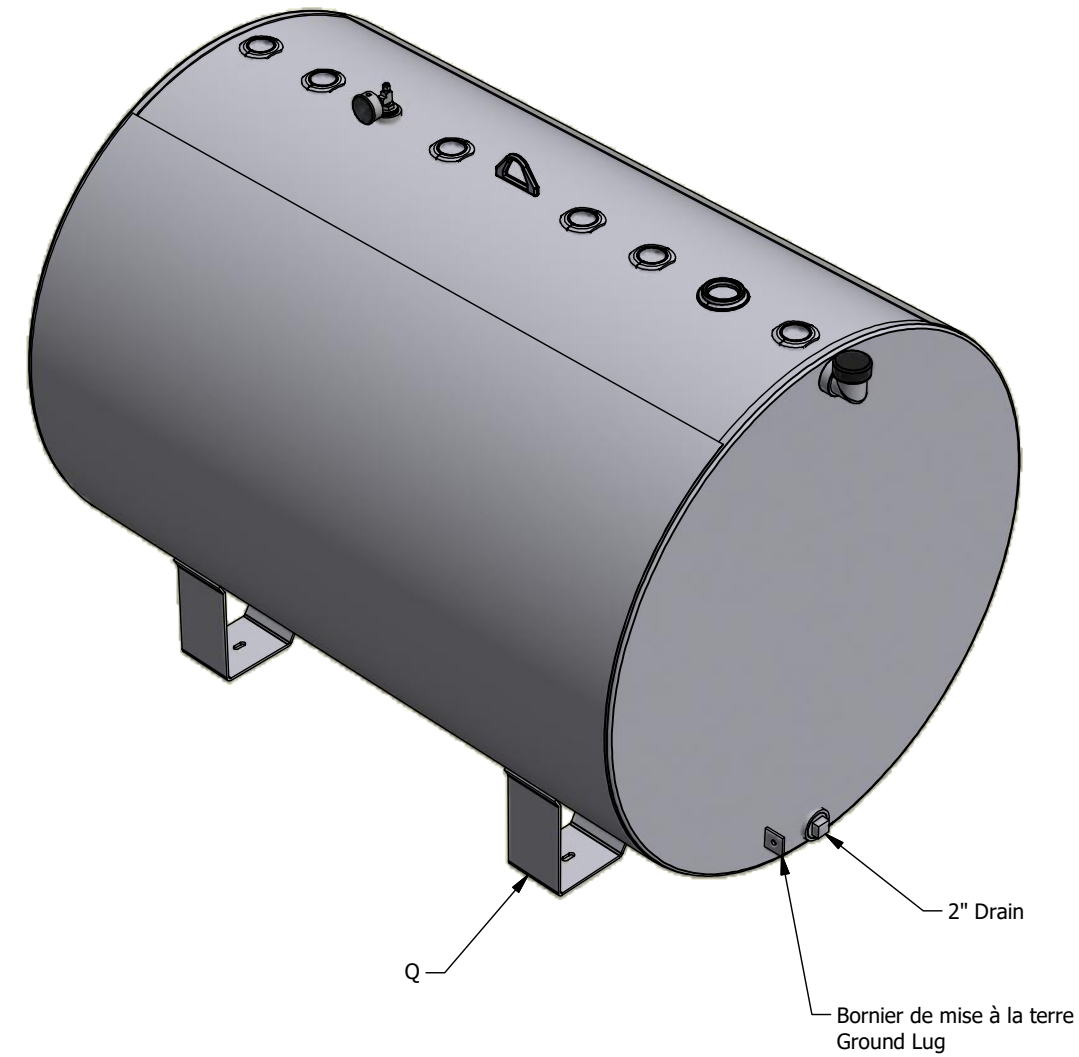


Part #	Volume (L,GAL)	POIDS APPROX. / APPROX. WEIGHT	NOMINAL STEEL THK.	A (in)	B (in)	C (in)	D (in)	E (in)	F (in)	G (in)	H (in)	J (in)	K (in NPT)	L (in)	M (in)	N (in)	P (in)	Q
3002C222NCAA	227,50	199 lb / 90 Kg	2.5 mm	36	22 1/2	28	8 1/2	13	17 1/2	8 1/2	13 1/2		2	26	19 1/8	13 1/8		AS14001
3006C222NCAA	570,125	345 lb / 153 Kg	2.5 mm	49	30 1/2	36	11	18		11	18		2	34	23 5/8	18		AS14001
3011C222NCAA	1135,250	531 lb / 241 Kg	2.5 mm	60	38 1/2	44	10 1/2	17	23 1/2	10 1/2	17	23 1/2	2	42	30 3/8	22 3/8	22 1/8	AS14002
3014C222NCAA	1360,300	601 lb / 273 Kg	2.5 mm	72	38 1/2	55 1/2	12	20	28	12	20	28	2 1/2	42	30 3/8	27 1/8	22 1/8	AS14002
3020C232NCAA	1915,420	774 lb / 351 Kg	2.5 mm	60	50 1/2	55 1/2	10 1/2	17	23 1/2	10 1/2	17	23 1/2	2 1/2	42	38 1/8	34 5/8	29 5/8	AS14002
3023C242NCAA	2275,500	867 lb / 393 Kg	2.5 mm	72	50 1/2	55 1/2	12	20	28	12	20	28	2 1/2	42	38 1/8	34 5/8	29 5/8	AS14002



NOTES:  
 1. AIR / SOAP TEST TO 35 KPa (5 PSI) MAX.  
 2. INTERIOR FINISH: CLEAN OF DEBRIS ETC.  
 3. EXTERIOR FINISH: PHOSPHATE CLEAN AND APPLY 0.0035" to 0.0070" of WHITE POLYURETHANE 751 (PE0060ET AND PE0061ET)

Ce dessin est la propriété exclusive de Industries Granby, SEC. Aucune partie de ce dessin ne peut être utilisée ou reproduite sans sa permission écrite.  
 This drawing is the exclusive property of Granby Industries LP. No part of this drawing may be used or reproduced in any manner without its written permission.

TOLÉRANCES LINÉAIRES, LINEAR STD TOLERANCES 0 OR FRAC. (X/X) -> ±0.5" 0.00 -> ±0.125" 0.0 -> ±0.25" 0.000 -> ±0.0625"	Description de la révision / Revision description	Industries Granby S.E.C., Granby Industries L.P. © 2018 Industries Granby, SEC. Granby Industries LP	
TOLÉRANCES ANGULAIRES, ANGULAR STD TOLERANCES 0 -> ± 2 DEG. 0.00 -> ± 0.1 DEG. 0.0 -> ± 0.5 DEG.	Dessiné par / Drawn by <b>S. Potvin</b>	14/11/2018	Format / Size No de la pièce / Part no. REV <b>B</b> Light_Ind_602HZ 05
Les soudures doivent respecter la spécification SI-0039. Tank welds must respect SI-0039 specifications.	Approuvé par / Approved by :	Description / Title <b>RÉS. CONF. SEC. FERMÉ SUR PATTES BLANC - 2275L 2.5mm ULC-S602 - CLOSED SEC. CONT. TANK ON SUPPORTS WHITE</b>	
Poids Approx. / Approx. Weight VOIR TABLEAU / SEE TABLE	Unités / Units <b>INCHES</b>	Echelle / Scale	Feuille / Sheet <b>1 / 1</b>