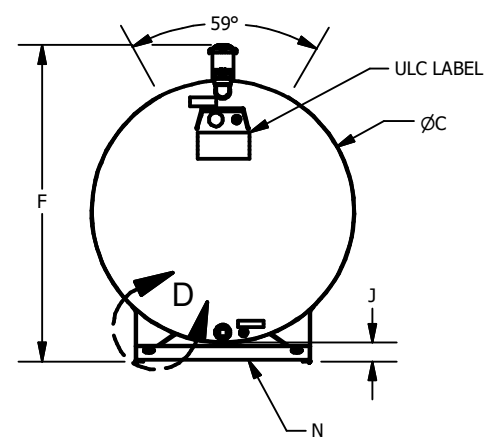
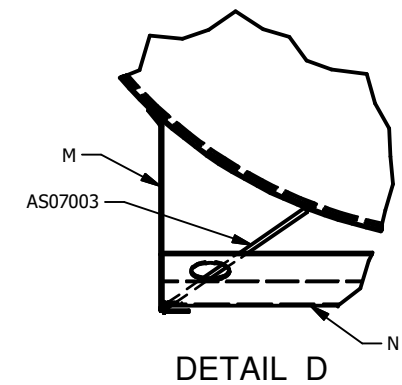
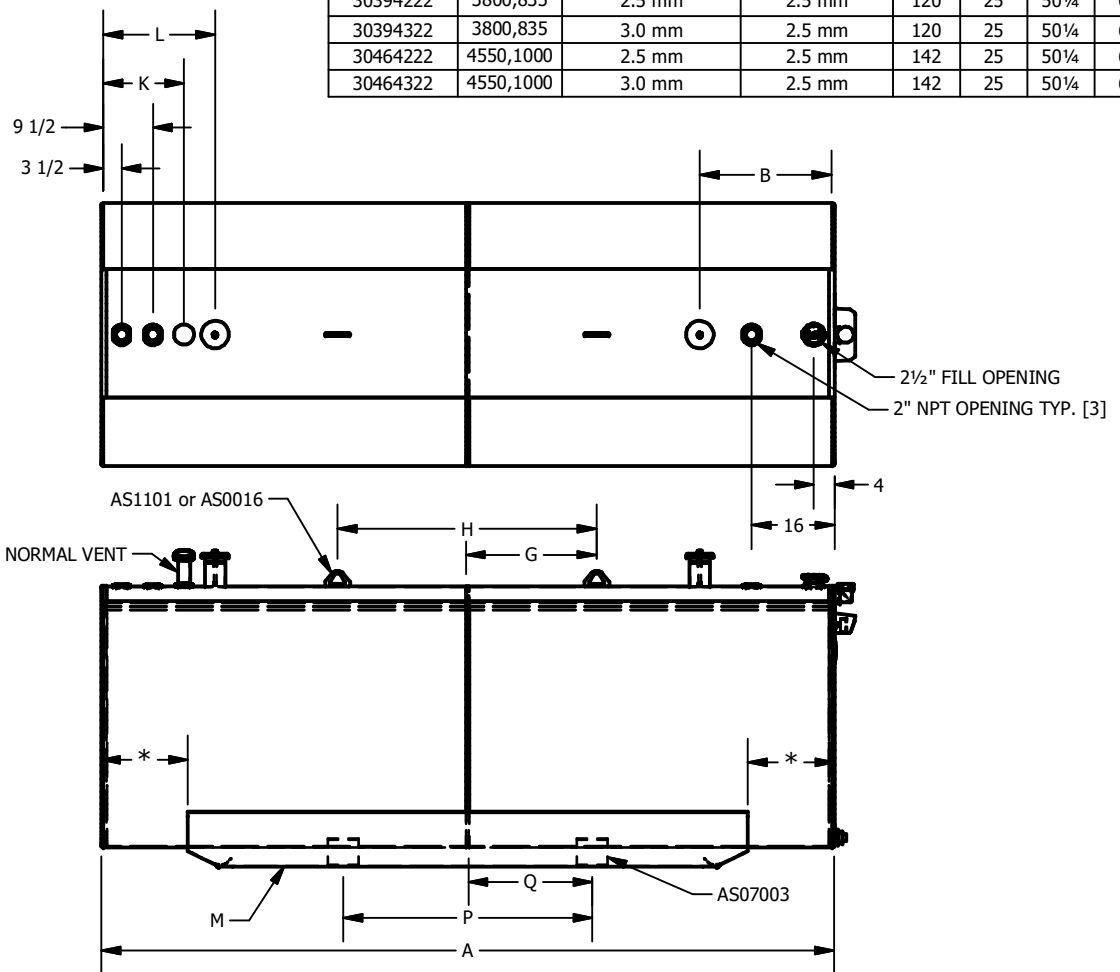


2

1

PRODUCT #	VOLUME (L,GAL)	PRIMARY STEEL NOMINAL THK.	SEC. STEEL NOMINAL THK.	A	B	C	F	G	H	J	K	L	M	N	P	Q
30064222	570,125	2.5 mm	2.5 mm	49		30¼	41½	0		4¾	12	18	AS07112	AS07009		0
30114222	1135,250	2.5 mm	2.5 mm	60		38¼	49½	0		4½	15	21	AS07122	AS07012		0
30144222	1360,300	2.5 mm	2.5 mm	72		38¼	49½	0		4½	15	21	AS07153	AS07012		0
30204232	1915,420	2.5 mm	2.5 mm	60		50¼	60½	0		3½	15	21	AS07122	AS07014		0
30234242	2275,500	2.5 mm	2.5 mm	72		50¼	61	0		3½	15	21	AS07153	AS07014		0
30394222	3800,835	2.5 mm	2.5 mm	120	25	50¼	61	25	50	3½	15	21	AS07274	AS07014		0
30394322	3800,835	3.0 mm	2.5 mm	120	25	50¼	61	25	50	3½	15	21	AS07274	AS07014		0
30464222	4550,1000	2.5 mm	2.5 mm	142	25	50¼	61	25	50	3½	15	21	AS07274	AS07014	48	24
30464322	4550,1000	3.0 mm	2.5 mm	142	25	50¼	61	25	50	3½	15	21	AS07274	AS07014	48	24



Ce dessin est la propriété exclusive de Industries Granby, SEC. Aucune partie de ce dessin ne peut être utilisée ou reproduite sans sa permission écrite.
This drawing is the exclusive property of Granby Industries LP. No part of this drawing may be used or reproduced in any manner without its written permission.

<p>TOLÉRANCES LINÉAIRES, LINEAR STD TOLERANCES 0 OR FRAC. (X/X) -> ±0.5" 0.00 -> ±0.125" 0.0 -> ±0.25" 0.000 -> ±0.0625"</p>	<p>Description de la révision / Revision description</p>	<p>Réservoirs d'Acier Granby, Granby Steel Tanks</p> <p>© 2009 Industries Granby, SEC. Granby Industries LP</p>	
<p>TOLÉRANCES ANGULAIRES, ANGULAR STD 0 -> ± 2 DEG. 0.0 -> ± 0.5 DEG. 0.00 -> ± 0.1 DEG.</p>	<p>Dessiné par / Drawn by M. Baril</p>	<p>Format / Size No de la pièce / Part no. A SI0071</p>	<p>REV D.</p>
<p>Les soudures doivent respecter la spécification SI-0039. Tank welds must respect SI-0039 specifications.</p>	<p>Approuvé par / Approved by :</p>	<p>GENERIC DRAWING FOR CYLINDRICAL HORIZONTAL DOUBLE WALLED ULC-S601 UTILITY TANKS</p>	
<p>Matériau / Material :</p>	<p>Unités / Units INCHES</p> <p>Échelle / Scale .03 : 1</p> <p>Feuille / Sheet 1 / 1</p>		

* : Equal distance

2

1

D-TANK_TMPLT-C